



HFCW(+H) SERIES

Horizontal Recessed Ceiling Fan Coil
1-3 Tons Cooling
Up to 71,300 BTUH HW Heat



HFCW Fan coil



Access Panel

(non-louvered shown)

The HFCW series compact twin blower design is engineered to be user friendly and only 10.25" high. The drain pan, coil, blower motor assembly, heater, and electrical components are easily accessible and removable for service, saving time and expensive service labor cost.

The HFCW series is compatible with most gas-fired water heaters, and Chilled water systems. Allstyle customers are responsible for confirming which fan coil models are compatible with selected water chillers and gas-fired water heaters. To determine approved indoor/outdoor matches please call your local manufacturers representative or contact the factory at 1-800-643-7701.

HFCW fan coils come standard with 115V, 2-speed motor, and 24V transformer, pre-wired with or without circulating pump.

Factory installed housing add "+H" after "P" for pump "NP" for no pump in the model number. Example; HFCW18-30-2-H2NP+H

Service Features:

- Removable anti-microbial polycarbonate drain pan allows quick access to clean or remove coil.
- Two piece polycarbonate clam shell blower housing allows for easy access to blower wheels for motor replacement.
- Resilient motor mounts for quick replacement.
Easy access to electrical components.

Standard Features:

- Anti-Microbial insulated polycarbonate drain pan with 3/4" NPT primary and secondary.
- 115V, 2 speed motor, 24V transformer and controls.
Line voltage terminal block.
- High efficient copper tube/aluminum fin coils.
- Aluminum end plates.

Optional Features:

- White, powder coated, solid or louvered, hinged access panels with mounting screws.
- Insulated housing, factory or field installed, allows for ducted return air plenum.
- Circulating Pump factory or field installed.



Optional Insulated Housing



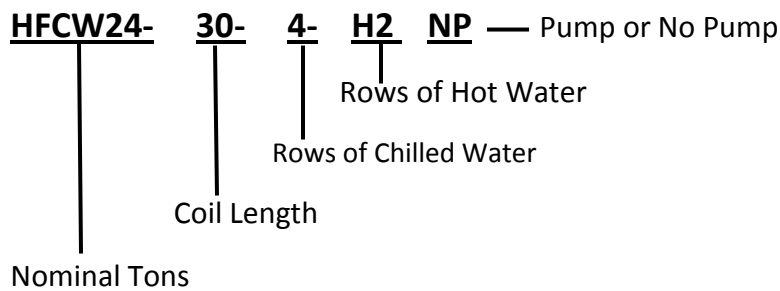
Matching Access Panel for Housing



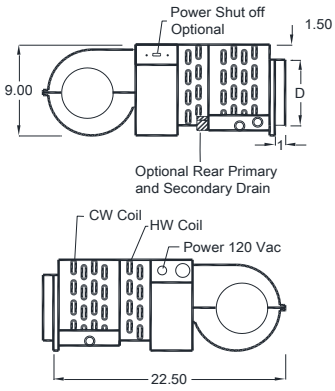
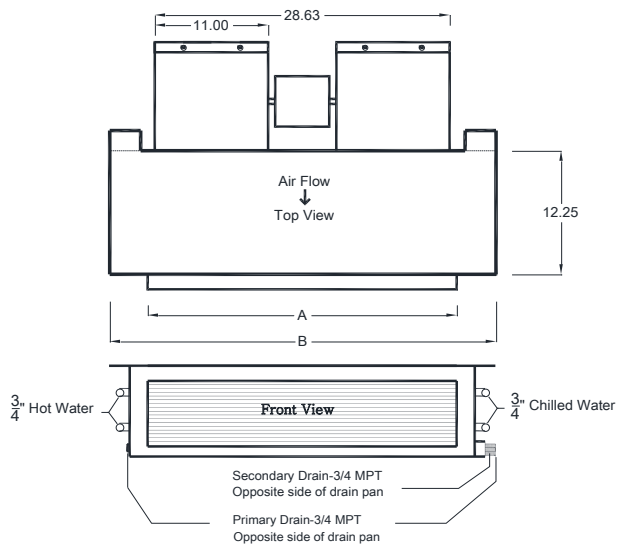
Performance									
			Cooling Performance			Heating Performance			
Model	Rows	CFM	Cool MBTUH based on 3 GPM Evap. Temp.			Heat MBTUH based on 3 GPM 70F RA Temp.			
			40degF	42degF	45degF	120 F	140 F	160 F	180 F
HFCW 12/18	1	400	6.5	6.1	5.4	6.9	9.7	12.5	15.4
		600	7.2	6.8	6.0	8.1	11.4	14.7	18.0
	2	400	11.2	10.4	9.3	11.5	16.1	20.8	25.4
		600	12.6	11.8	10.5	13.9	19.5	25.2	30.9
	3	400	13.3	12.4	11.1	14.0	19.8	25.5	31.2
		600	15.2	14.2	12.7	17.4	24.5	31.6	39.7
	4	400	14.7	13.8	12.4	15.7	22.1	28.5	34.9
		600	16.9	15.9	14.3	19.8	27.9	36.0	44.1
HFCW 24	1	600	8.2	7.6	6.8	8.9	12.5	16.2	19.9
		800	8.8	8.2	7.3	10.0	14.1	18.2	22.3
	2	600	13.9	13.0	11.5	15.0	21.1	27.2	33.3
		800	15.1	14.1	12.5	17.1	24.1	31.0	38.0
	3	600	16.5	15.5	13.9	18.6	26.1	33.7	41.2
		800	18.0	16.9	15.2	21.4	30.1	38.9	47.6
	4	600	18.3	17.1	15.4	20.9	29.4	37.9	46.5
		800	20.0	18.8	17.0	24.3	34.2	44.2	54.1
HFCW 30	1	800	9.7	9.0	8.0	10.9	15.3	19.7	24.2
		1000	10.2	9.5	8.4	11.8	16.7	21.5	26.4
	2	800	16.3	15.2	13.6	18.3	25.7	33.1	40.6
		1000	17.3	16.2	14.5	20.1	28.3	36.5	44.7
	3	800	19.4	18.1	16.4	22.6	31.8	41.0	50.2
		1000	20.6	19.4	17.5	25.1	35.3	45.4	55.7
	4	800	21.4	20.1	18.1	25.5	35.9	46.3	56.7
		1000	22.8	21.5	19.6	28.4	40.0	51.5	63.1
HFCW 36	1	1000	11.1	10.3	9.2	12.7	17.9	23.1	28.3
		1200	11.5	10.7	9.5	13.6	19.2	24.8	30.4
	2	1000	18.5	17.4	15.5	21.3	30.0	38.6	47.3
		1200	19.4	18.2	16.3	23.0	32.3	41.6	51.0
	3	1000	21.9	20.6	18.6	26.3	36.9	47.6	58.3
		1200	23.0	21.7	19.8	28.4	40.0	51.5	63.1
	4	1000	24.1	22.7	20.6	29.6	41.6	53.6	65.6
		1200	25.4	24.0	22.0	32.1	45.1	58.2	71.3

Max chilled water rows is four Rows.

Max coils per HFCW is six Rows of any combination Ex. HFCW24-30-4-H2NP



HFCW(+H) SERIES
1-3 tons



BLOWER PERFORMANCE				
MODEL	Speed	External Static Pressure		
		0.10	0.20	0.30
HFCW 12/18	Low	580	510	440
	High	675	605	525
HFCW 24	Low	655	585	510
	High	800	740	665
HFCW 30	Low	800	720	640
	High	990	950	855
HFCW 36	Low	1125	1015	905
	High	1220	1130	1015
HFCW 37	Low	1240	1125	1015
	High	1335	1265	1145

Add .05 static when enclosure is used

ELECTRICAL SPECIFICATIONS @ 115 VOLTS				
MODEL	Blower HP	AMPS	MCA	MOP
HFCW 12	1/8	1.65	2.1	15
HFCW 18	1/4	2.9	3.7	15
HFCW 24	1/3	3.3	4.2	15
HFCW 30	1/3	3.3	4.2	15
HFCW 36	1/2	5.7	7.2	15

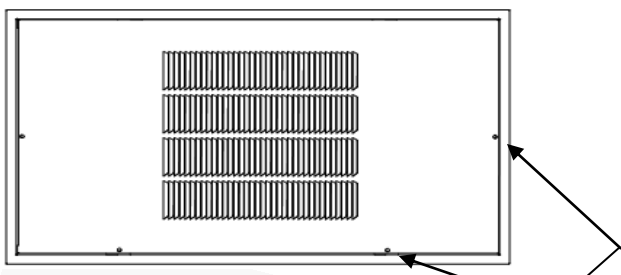
MODEL	A Dimension	B Dimension	D Dimension
HFCW 12, 18, 24, and 30	36.00"	43.25"	7"
HFCW 36	42.00"	49.25"	7"

Vertical height on all models is 10.25 inches.

Vertical duct connection height on all models is 8.75 inches.

Ceiling Access Panels

CEILING ACCESS PANELS							
FOR MODEL	PUMP	PANEL NO.	DESCRIPTION	CEILING PANEL OPENING		PANEL FRAME DIMS. (OUTSIDE)	
HFCW 12, 18, 24, and 30	WITHOUT	PL-4575	LOUVERED	24-1/2"	46"	28"	49-3/4"
	PUMP	PS-4575	NON-LOUVERED	24-1/2"	46"	28"	49-3/4"
HFCW 12, 18, 24, and 30	WITH	PL-5175	LOUVERED	24-1/2"	52"	28"	55-3/4"
	PUMP	PS-5175	NON-LOUVERED	24-1/2"	52"	28"	55-3/4"
HFCW 36	WITHOUT	PL-5175	LOUVERED	24-1/2"	52"	28"	55-3/4"
	PUMP	PS-5175	NON-LOUVERED	24-1/2"	52"	28"	55-3/4"
HFCW 12, 18, 24, and 30	WITH	PL-5175	LOUVERED	24-1/2"	52"	28"	55-3/4"
	PUMP	PS-5175	NON-LOUVERED	24-1/2"	52"	28"	55-3/4"
HFCW 36	WITH	PL-5875	LOUVERED	24-1/2"	52"	28"	62-3/4"
	PUMP	PS-5875	NON-LOUVERED	24-1/2"	52"	28"	62-3/4"



White thumb screws For Easy Access

#PL-4575, PL5175
 (Louvers may differ from picture)
 Louvered panels accept 20 X 20 X 1" filter
 (field supplied)



#PS-4575, PS-5175

Housing with Ceiling Panels

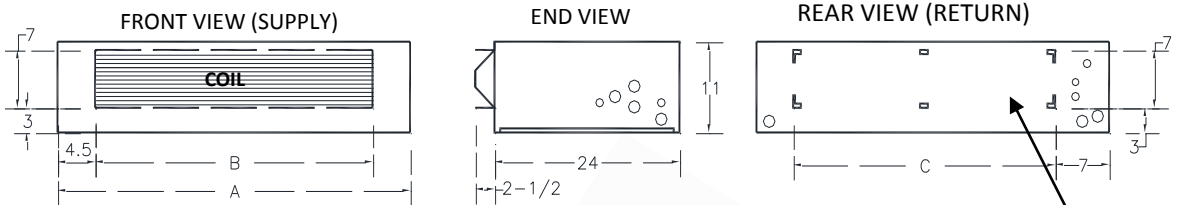
(Housings and panels are standard with ALL "-H" models or can be

CEILING PANEL/ENCLOSURE INFORMATION											
FOR MODEL	HOUSING NO.	HOUSING DIMENSIONS			PUMP	PANEL NO.	DESCRIPTION	CEILING PANEL OPENING	PANEL FRAME DIMS. (OUTSIDE)		
		H	W	D							
12,18,24, and 30 HFCW	4575	11"	45-3/4"	24"	WITHOUT PUMP	PL-4575	LOUVERED	24-1/2"	46"	28"	49-3/4"
					WITH PUMP	PS-4575	NON-LOUVERED	24-1/2"	46"	28"	49-3/4"
12,18,24, and 30 HFCW	5175	11"	51-3/4"	24"	WITHOUT PUMP	PL-5175	LOUVERED	24-1/2"	52"	28"	55-3/4"
					WITH PUMP	PS-5175	NON-LOUVERED	24-1/2"	52"	28"	55-3/4"
HFCW 36	5175	11"	51-3/5"	24"	WITHOUT PUMP	PL-5175	LOUVERED	24-1/2"	52"	28"	55-3/4"
					WITH PUMP	PS-5175	NON-LOUVERED	24-1/2"	52"	28"	55-3/4"
HFCW 12,18,24, and 30	5175	11"	51-3/4"	24"	WITHOUT PUMP	PL-5175	LOUVERED	24-1/2"	52"	28"	55-3/4"
					WITH PUMP	PS-5175	NON-LOUVERED	24-1/2"	52"	28"	55-3/4"
HFCW 36	5875	11"	58-1/2"	24"	WITHOUT PUMP	PL-5875	LOUVERED	24-1/2"	52"	28"	62-3/4"
					WITH PUMP	PS-5875	NON-LOUVERED	24-1/2"	52"	28"	62-3/4"

(See panel pictures on page 2)

NOTES:

- These housings are shipped with units installed unless specified otherwise.
- Customer needs to specify on order which panel is wanted.

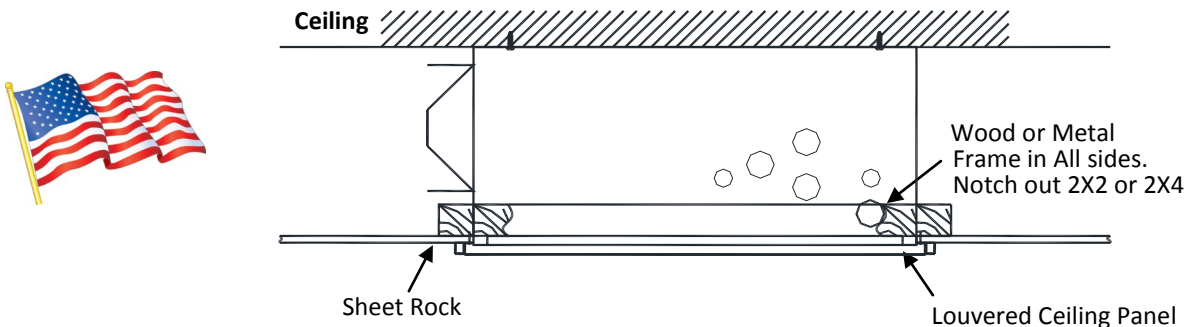


ENCLOSURE DIMENSIONS					
FOR MODEL	ENCLOSURE NO.	PUMP	A	B	C
12,18,24, 30 and,	4575	WITHOUT PUMP	45-3/4	36-5/8	36-5/8
36 HFCW	5175	WITHOUT PUMP	51-3/4	36-5/8	36-5/8
12,18,24, 30 and,	5175	WITH PUMP	51-3/4	36-5/8	36-5/8
36 HFCW	5875	WITH PUMP	58-3/4	42-5/8	42-5/8



KNOCKOUT FOR DUCTED RETURN
 (Requires filter grille-field supplied)
 (Ducted return requires non-louvered panel)

ENCLOSURE INSTALLATION SUPPORT FRAMING





ENCLOSURE CONNECTION LOCATIONS

