



PRODUCT FEATURES

Designed for installation in a furred down area or dropped ceiling area.

Unique right or left hand air discharge

Optional DX Coil installed for Cooling only,
cooling & electric heating, or heat pump with electric back up.
Optional factory installed electric heat of either 3, 5, 6, 8, or 10 KW.

Cooling capacities of 1, 1.5, 2.0, 2.5, or 3.0 nominal tons.

Standard internal filter rack.

Factory installed time delay relay.

Pre-punched side mounting tabs for easier installations.

Powder coated hinged access panels must be ordered separately.

Full insulated embossed galvanized steel cabinets

PHYSICAL DIMENSIONS (Inches)

Nominal Capacity In Tons	Model	Cabinet Height A	Cabinet Length B	Cabinet Width C	Plenum Height D	Plenum Width E	Optional Return Opening	Access Grill Width	Access Grill Length	Filter Size
1.0, 1.5, 2.0, 2.5	AHL	12"	47"	23"	7.5"	21.5"	21 X 7.5"	27.25"	51.25"	20 X 20"
2.5, 3.0	AHL	12"	51"	23"	7.5"	21.5"	21 X 7.5"	27.25"	55.25"	20 X 20"
Refrigerant Connections: Suction Lines are 3/4" and Liquid Lines are 3/8" on all models.										
Unit may be ordered for either rear return or for return through louvered access panel.										



AHL SERIES FURRED DOWN AHUs

ELECTRICAL SPECIFICATIONS					
MODEL	Electric Heat KW	Total Amps	MCA	MOP	BTUH
AHL 12	0	1.5	2	15	0
	3	14	18	20	10,257
	5	22	27	30	16,411
	6	27	34	40	20,512
	8	35	44	50	27,304
	10	42	52	60	32,764
AHL 18 & 24	0	1.5	2	15	0
	3	14	18	20	10,257
	5	22	27	30	16,411
	6	27	34	40	20,512
	8	35	44	50	27,304
	10	42	52	60	32,764
AHL 30	0	1.5	2	15	0
	3	14	18	20	10,257
	5	22	27	30	16,411
	6	27	34	40	20,512
	8	35	44	50	27,304
	10	42	52	60	32,764
AHL 36	0	4.0	5	15	0
	3	14	21	30	10,257
	5	22	30	40	16,411
	6	27	37	40	20,512
	8	35	47	50	27,304
	10	42	55	60	32,764

Derate BTUH heating capacity 25% for 208 volt installations.
Specifications may change without notice.

BLOWER PERFORMANCE				
Model	Speed	Static Pressure		
		0.1	0.2	0.3
AHL 12	Low	535	460	400
	Medium	700	630	540
	High	800	730	620
AHL 18	Low	740	670	610
	Medium	970	850	760
	High	1020	950	840
AHL 24	Low	740	670	610
	Medium	970	850	760
	High	1020	950	840
AHL 30	Low	740	670	610
	Medium	970	850	760
	High	1020	950	840
AHL 36	Low	1020	950	870
	Medium	1140	1100	1040
	High	1250	1200	1150



AHF, AHK, & AHL DOOR KITS

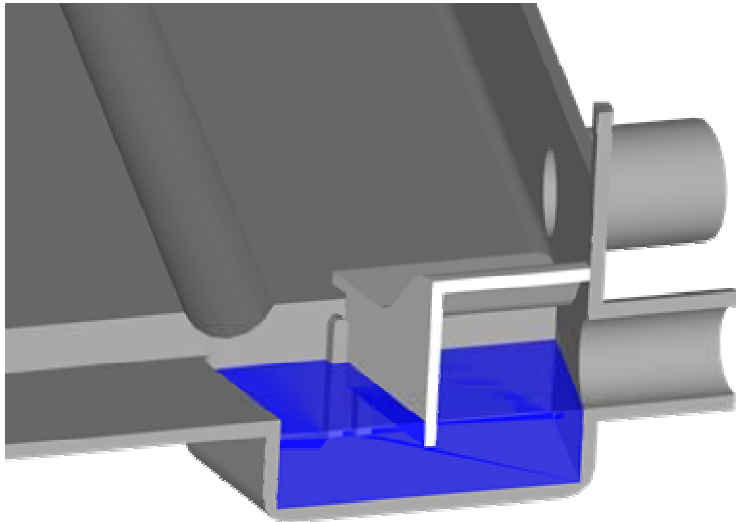
Solid & louvered door kit.
Integral filter rack on louvered doors.
Appliance like powder paint finish.

**AHF 1 thru 2.5 ton use #ACP-51-INS kit
(27.25" x 51.25" O.D. dimensions)**

**AHK 2.5 & 3.0 ton use #ACP-55-INS kit
(27.25" x 55.25" O.D. dimensions)**

AllStyle

AHF / AHK / AHL SERIES FURRED DOWN AHUs



NEW INTEGRAL DRAIN TRAP

The AHF / AHK/ and AHL series furred down air handlers are now standard with our integral drain trap. This unique design eliminates the need for exterior condensate traps in the primary drain line. No more hassles trying to find room above a dropped ceiling for a condensate trap. This feature will save you time,....and money

ACCESS PANEL OPTIONS



Pick from two options, either solid for ducted return, or louvered for return directly into the air handler. Both are constructed of heavy galvanized steel with a glossy powder paint finish. The doors are hinged with the frame mounting to the wall.



Access Panel Dimensional Data

Model	Used on Air Handler Models	Part No.	Description	Frame O.D. Dimensions	Opening Dimensions	Access Panel Dimensions
ACP-51S	AHF AHL18-30	RP21038	Solid Panel	27.25 W x 51.25 L	23.5 W x 47.5 L	25.0 W x 49.0 L
ACP-51L**	AHF AHL18-30	RP21039	Louvered Panel	27.25 W x 51.25 L	23.5 W x 47.5 L	25.0 W x 49.0 L
ACP-55S	AHK AHL30-36	RP21040	Solid Panel	27.25 W x 55.25 L	23.5 W x 51.5 L	25.0 W x 53.0 L
ACP-55L**	AHK AHL30-36	RP21041	Louvered Panel	27.25 W x 55.25 L	23.5 W x 51.5 L	25.0 W x 53.0 L

** Louvered panel includes a filter rack.

AllStyle Coil Co., L.P.

7037 Brittmore, Houston, Texas 77041 • 713 466 6333 • FAX 713 466 6363 • www.allstyle.com