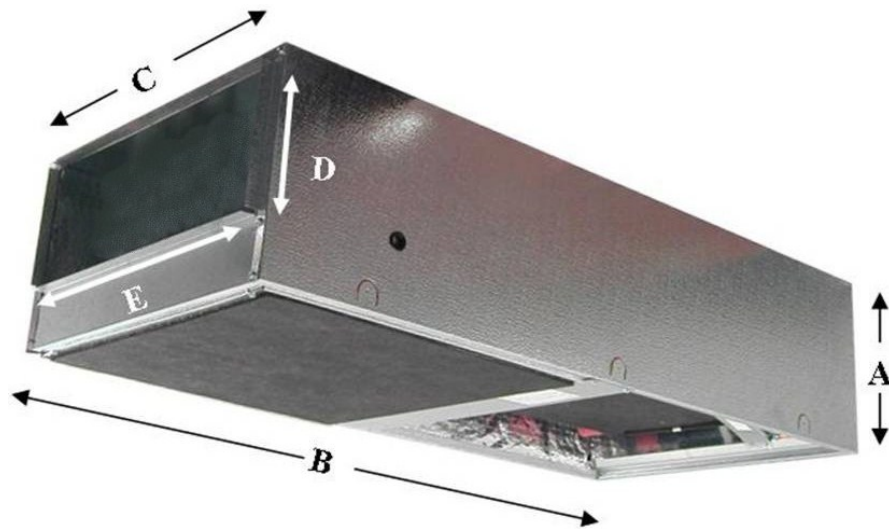


AllStyle

AHFW / AHKW SERIES FURRED DOWN AHUs



STANDARD PRODUCT FEATURES

- Designed for installation in a furred down or dropped ceiling area
- Heavy .022 copper tube designed for 2-pipe hydronic systems
- 3/4 in O.D. water and condensate connections.
- 115 volt Multi-speed blower
- Pre-punched fold-out side mounting tabs for easier installation
- Insulated embossed galvanized steel cabinets
- Manual air release fittings
- Polycarbonate drain pan with integral condensate trap

OPTIONAL PRODUCT FEATURES

- Powder coated hinged access panels, solid or louvered
- Time delay for blower relay
- 230 volt motors
- External circulating pump

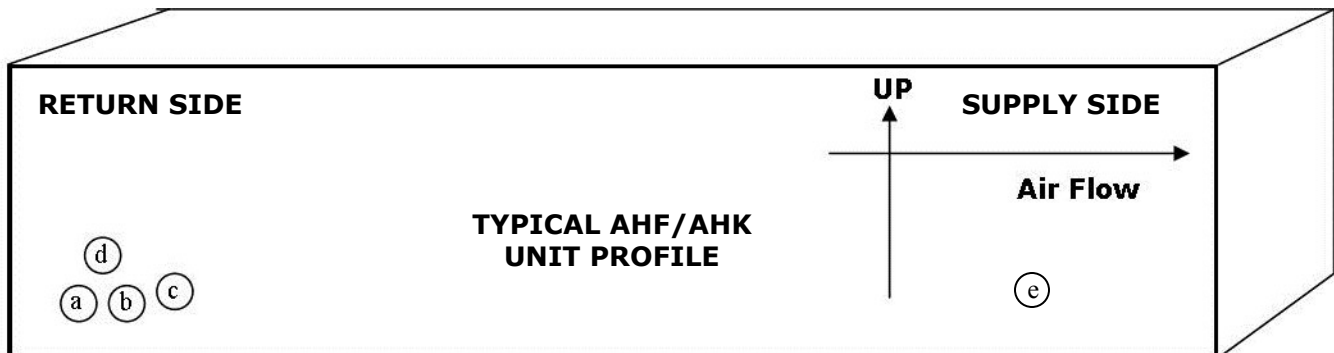
PHYSICAL DIMENTIONS (Inches)

Nominal Capacity In Tons	Model	Cabinet Height A	Cabinet Length B	Cabinet Width C	Plenum Width E	Optional Return Opening	Access Grill Width	Access Grill Length	Filter Size
1.0,1.5,2.0, 2.5,	AHFW	12.00"	47"	23"	21.5"	21 X 7.5"	27.25"	51.25"	20 X 20"
2,2.5,3.0	AHKW	12.00"	51"	23"	21.5"	22 X 7.5"	27.25"	55.25"	20 X 20"

Refrigerant Connections: Suction Lines are 3/4" and Liquid Lines are 3/8" on all models.

Unit may be installed using either ducted rear return or bottom return throught louvered access panel.

AHFW / AHKW SERIES FURRED DOWN AHUS

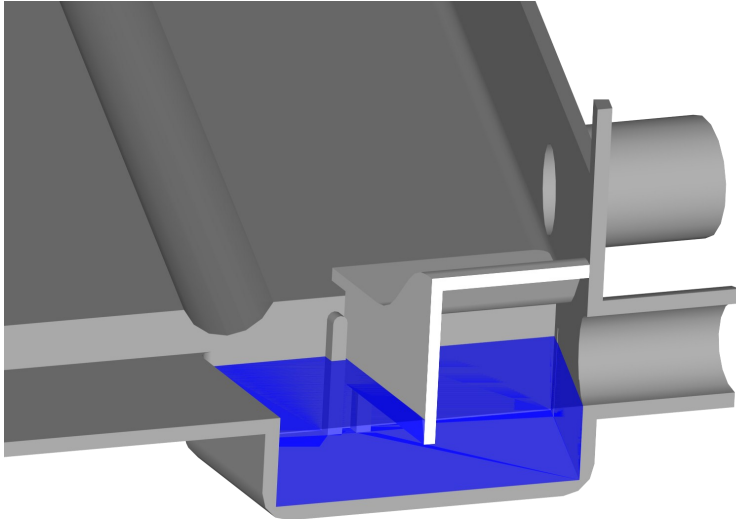


AHFW Series Furred Down Chilled Water Air Handlers			
Cabinet	Opening	Distance From	
Opening	Purpose	Cabinet End	Cabinet Bottom
To Center of Opening			
a	Water Out	1.125 in.	3.25 in.
b	Condensate	3.50 in.	3.25 in.
c	Condensate	5.75 in.	3.50 in.
d	Water In	2.25 in.	4.25 in.
e	Electrical	8.625 in.	3.75 in.

AHKW Series Furred Down Chilled Water Air Handlers			
Cabinet	Opening	Distance From	
Opening	Purpose	Cabinet End	Cabinet Bottom
To Center of Opening			
a	Water Out	1.125 in.	3.125 in.
b	Condensate	3.25 in.	3.125 in.
c	Condensate	5.375 in.	3.5 in.
d	Water In	2.25 in.	4.0 in.
e	Electrical	9 in.	3.75 in.

UNIT DATA			COOLING				HEATING					
MODEL	COIL ROWS	CFM	GPM	40° F Water	42° F Water	45° F Water	GPM	PD	EWT	EWT	EWT	EWT
							120 140 160 180					
AHFW18	2	600	3	14.7	13.8	12.1	3.5	3.0	17.7	24.1	30.5	36.9
	3			17.3	16.3	14.7		1.6	21.6	29.5	37.4	45.3
	4			19.3	17.9	16.1		1.0	24.2	33.1	42.0	50.9
AHFW24	2	800	3	15.6	14.8	13.2	3.5	3.0	20.2	27.5	34.8	42.1
	3			18.9	17.7	16.0		1.6	24.9	34.0	43.2	52.4
	4			20.9	19.7	17.7		1.0	28.2	38.6	49.0	59.5
AHFW30	2	1000	3	16.9	15.8	14.2	3.5	3.0	22.2	30.2	38.2	46.4
	3			20.2	19.0	17.1		1.6	27.6	37.7	47.9	58.1
	4			22.4	21.1	19.3		1.0	31.4	42.9	54.6	66.3
AHKW36	2	1200	3	19.4	18.2	16.3	3.5	3.0	24.5	33.1	41.8	50.5
	3			23.0	21.7	19.8		1.6	0.3	41.2	52.2	63.3
	4			25.4	24.0	22.0		1.0	34.5	47.0	59.6	72.3

ELECTRICAL PERFORMANCE							BLOWER PERFORMANCE			
Model	Volts	Ph.	Hz.	Amps	MCA	MOP	SPEED	0.1 ESP	0.2 ESP	0.3 ESP
AHFW18	115	1	60	3.4	4.3	15	HIGH	1020	950	840
	230	1	60	1.45	1.8	15	LOW	740	670	610
AHFW24	115	1	60	3.4	4.3	15	HIGH	1020	950	840
	230	1	60	1.45	1.8	15	LOW	740	670	610
AHFW30	115	1	60	4.3	5.4	15	HIGH	1200	1150	1100
	230	1	60	2.7	3.4	15	LOW	1140	1090	1040
AHKW36	115	1	60	7	8.75	15	HIGH	1250	1200	1150
	230	1	60	4	5	15	LOW	1190	1140	1090



NEW INTEGRAL DRAIN TRAP

The AHFW and AHKW series furred down air handlers are now standard with our integral drain trap. This unique design eliminates the need for exterior condensate traps in the primary drain line. No more hassles trying to find room above a dropped ceiling for a condensate trap. This feature will save you time,....and money

ACCESS PANEL OPTIONS



Pick from two options, either solid for ducted return, or louvered for return directly into the air handler. Both are constructed of heavy galvanized steel with a glossy powder paint finish. The doors are hinged with the frame mounting to the wall.



Access Panel Dimensional Data

Model	Used on Air Handler Models	Part No.	Description	Frame O.D. Dimensions	Opening Dimensions	Access Panel Dimensions
ACP-51S	AHF AHFW	RP21038	Solid Panel	27.25 W x 51.25 L	23.5 W x 47.5 L	25.0 W x 49.0 L
ACP-51L**	AHF AHFW	RP21039	Louvered Panel	27.25 W x 51.25 L	23.5 W x 47.5 L	25.0 W x 49.0 L
ACP-55S	AHK AHKW	RP21040	Solid Panel	27.25 W x 55.25 L	23.5 W x 51.5 L	25.0 W x 53.0 L
ACP-55L**	AHK AHKW	RP21041	Louvered Panel	27.25 W x 55.25 L	23.5 W x 51.5 L	25.0 W x 53.0 L

** Louvered panel includes a filter rack.

June 2008